



- Dual output, 5V/ 12V DC output, can be adjustable
- Compatible with IEEE 802.3af/at PS devices
- Support 10/100/1000M data transmission through RJ45
- Auto-negotiation and auto-MDIX fast Ethernet RJ45 port
- Both mid-span (4/5+, 7/8-) and end-span (1/2+, 3/6-)
- IEEE 802.3i; IEEE 802.3u; IEEE 802.3 Flow Control; IEEE 802.3af DTE Power via MDI
- 1000Base-TX (Less than 100 meters Catalogue 5 cable)
- Splits the 48V DC power over RJ-45 Ethernet cable into 5V/ 12V DC output

LinkPower™ GIGABIT PS1030 PoE Splitter

LinkPower™ PS1030 5/12V, 24W PoE Splitter - Dual Output Splitter

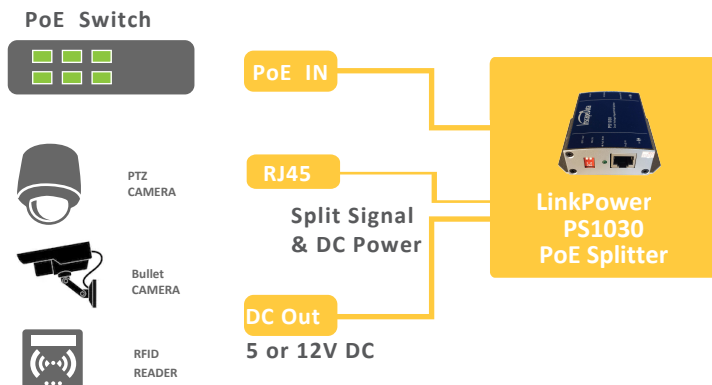
Inscape Data's LinkPower™ PS1030 PoE Splitter (Power over Ethernet) is a 24W 5/12V DC Dual Output PoE splitter based on IEEE802.3af/at. This single port Dual Output PoE splitter supports the deployment from restrictions of power outlet locations, which eliminates the costs for additional AC outlet and reduces the installation time. The data and power transmission distance is up to 100 meters.

For the cost saving and more flexible power management, the LinkPower™ PS1030 is an ideal PoE device that splits the 48V DC into 5V or 12V DC and up to 24W power output through the RJ-45 Ethernet cable. It complies with IEEE 802.3at Power over Ethernet, IEEE 802.3/802.3u 10/100Base-TX/1000Base-TX Ethernet standards.

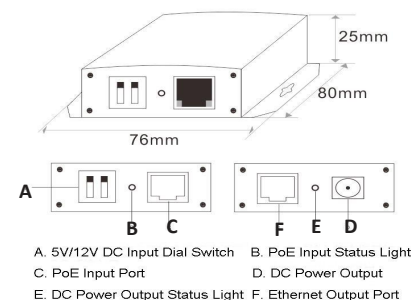
Applications

- Smart City
- IP Video Surveillance
- Campus Network
- Border Security Surveillance
- Municipal Network

System Configurations



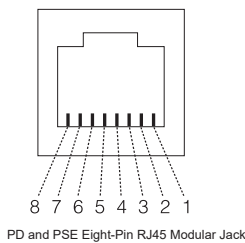
Product Layout



¹Voltage Status can be 12V DC, 24V DC, 48V DC, or 802.3af depending on the models.

All above images were taken for the purpose of these explanations; actual images may differ. (03/23-T)

Product Name	10/100/1000M Single Port PoE Splitter with Dual Output 24W
Model	PS1030
Description	Splits the 48V DC power over RJ-45 Ethernet cable into different DC output; Compatible with IEEE 802.3af standard PSE devices
Network Protocols and Standards	IEEE 802.3i 10BASET IEEE 802.3u 100BASET IEEE 802.3ab 1000BASET IEEE 802.3x Flow Control IEEE 802.3af DTE Power via MDI IEEE 802.3at
Port Description	Input port: PoE port; Output: DC 5V/ 12V, RJ45 port
Network Medium	1000Base-TX (less than 100 meters, Catalogue 5 cable)
PoE Features	IEEE802.3at
	Power over Ethernet, 24W(IEEE802.3at)
	Mid-span(4/5+, 7/8-), end-span(1/2+, 3/6-)
Dual Output	5V/ 12V DC output
Dimension	LxWxH: 80X76X25mm, 0.114kg
Environment	Operating temperature: -20 to 55° C Storage temperature: -20 to 75°C
Safety	CE Mark ,commercial, FCC Part 15 Class B, RoHS
Warranty	3-year warranty, life-long maintenance
Package List	POE Splitter, User Guide, Warranty Sheet



RJ45 Conductor Pin#	PSE Pinout		PD Pinout	
	802.3af Mode A	802.3af Mode B/ Passive PoE*	802.3af Mode A	802.3af Mode B/ Passive PoE*
1	Rx, V+	Rx	TX+, V+	TX+
2	Rx, V+	Rx	TX-, V+	TX-
3	Tx, V-	Tx	RX+, V-	RX+
4	Spare	V+		V+
5	Spare	V+		V+
6	Tx, V-	Tx	RX-, V-	RX-
7	Spare	V-		V-
8	Spare	V-		V-

PACKAGE CONTENTS

- PS1030 (1)
- User Manual (1)
- 1-Year Warranty Sheet (1)



United States Headquarters 2012 Hartog Dr, Suite D101, CA 95131, U.S.A.
PHONE +1.408.392.9800 FAX +1.408.392.9812 EMAIL sales@inscapedata.com