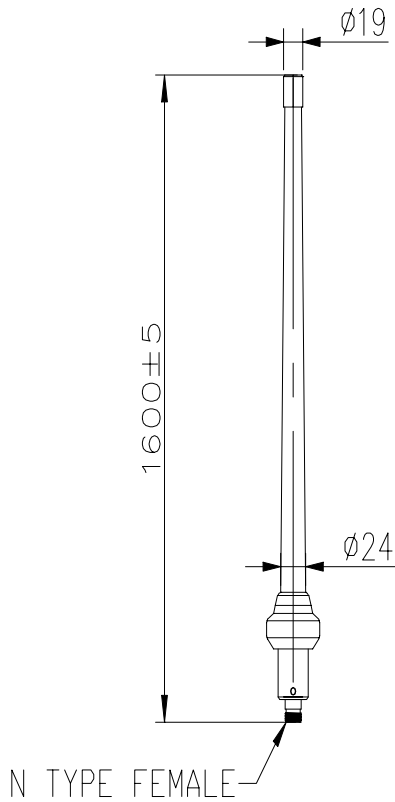


## 2.4 GHz Omni Antenna AirEther™ OA15



Unit :mm

### TECHNICAL DATA

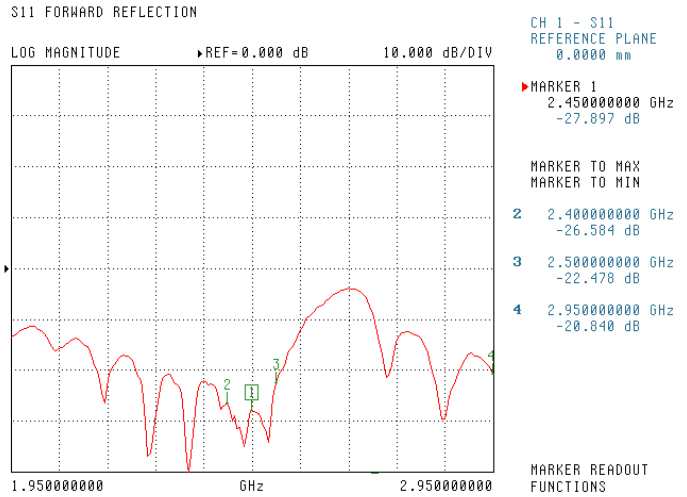
### Electrical Properties

Frequency Range	: 2400~2485 MHz
Impedance	: 50 OHMS $\pm 5 \Omega$
SWR	: $\leq 1.5$
Gain	: 15 dBi
Radiation	: Omni directional
Polarization	: Vertical

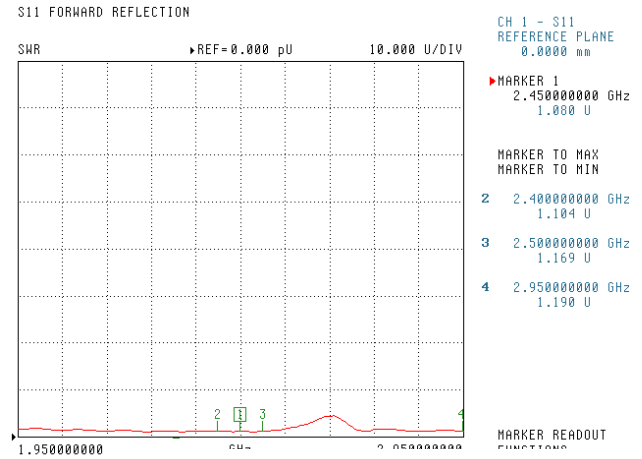
### Mechanical Properties

Connector	: N ( FEMALE)
Weight	: 1000 g
Radiator	: Copper
Radome	: Fiberglass
Mounting	: Zinc
Guide Pipe	: Aluminum Alloy
Bracket	: Aluminum Alloy
* Mast kit Accepted Ø19-Ø24 mast diameter	

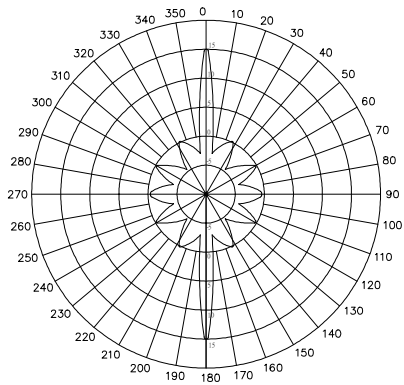
### Return Loss



### VSWR



### E-PLANE FIELD PATTERNS



### H-PLANE FIELD PATTERNS

