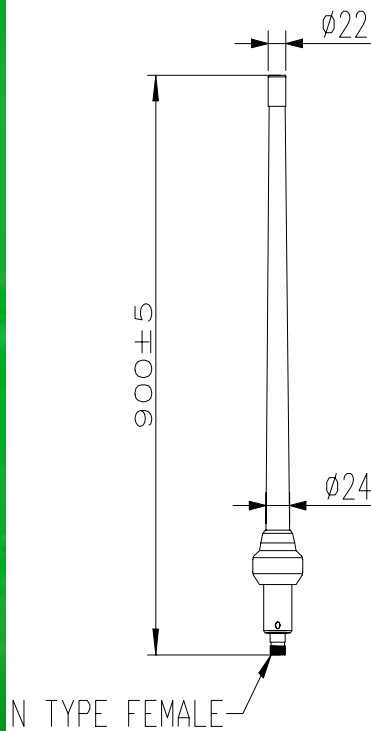


2.4 GHz Omni Antenna AirEther™ OA12



Unit :mm

TECHNICAL DATA

Electrical Properties

Frequency Range : 2400~2485 MHz

Impedance : 50 OHMS $\pm 5 \Omega$

SWR : ≤ 1.5

Gain : 12 dBi

Radiation : Omni directional

Polarization : Vertical

Mechanical Properties

Connector : N (FEMALE)

Weight : 800 g

Radiator : Copper

Radome : Fiberglass

Mounting : Zinc

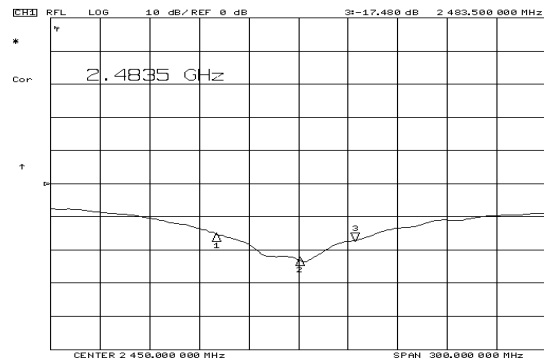
Guide Pipe : Aluminum Alloy

Bracket : Aluminum Alloy

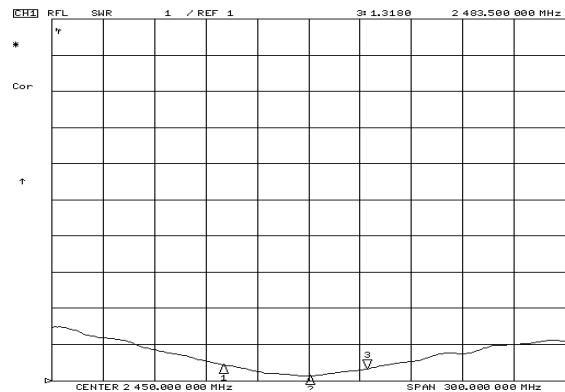
* Mast kit Accepted Ø22-Ø24 mast diameter

All Right reserved, 2004, Inscape Data Corporation

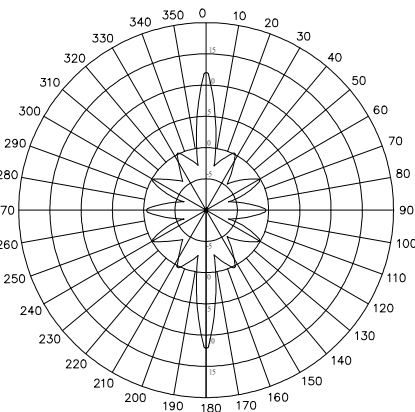
Return Loss



VSWR



E-PLANE FIELD PATTERNS



H-PLANE FIELD PATTERNS

